

Technical Bulletin 042 – FIA TL 16 Data Sheet

REV4 16/11/2021

Other References	
TB009	Extinguisher Selection
TB040	Plumbed-in FIA TL16 Systems – Installation Guide
TB041	FIA TL 16 Systems – Kit Content and Spares
TB020	Motorsport Regulation Changes

Overview

Lifeline FIA Technical List 16 systems are a refinement and improvement of the originals, by optimising nozzle design to give increased coverage resulting in faster discharge times, the Lifeline FIA Technical List 16 range provides increased levels of safety for all competition vehicles.

The entry level Fire Marshal range provides increased fire out performance and cost benefits for a minimal weight penalty. The electric stored pressure systems are pure performance; optimised both for weight and fire out time.

Fastest and lightest are the CD Remote systems. Utilising Lifeline's proven compression discharge technology, combined with minimal weight & size for ease of packaging. The best choice for formula and sportscars with compact cockpits and tight packaging requirements. By keeping the suppressant separate from the super-pressurising gas these systems also provide the fastest discharge and fire out times with the fewest nozzles for maximum safety and performance.



Specification

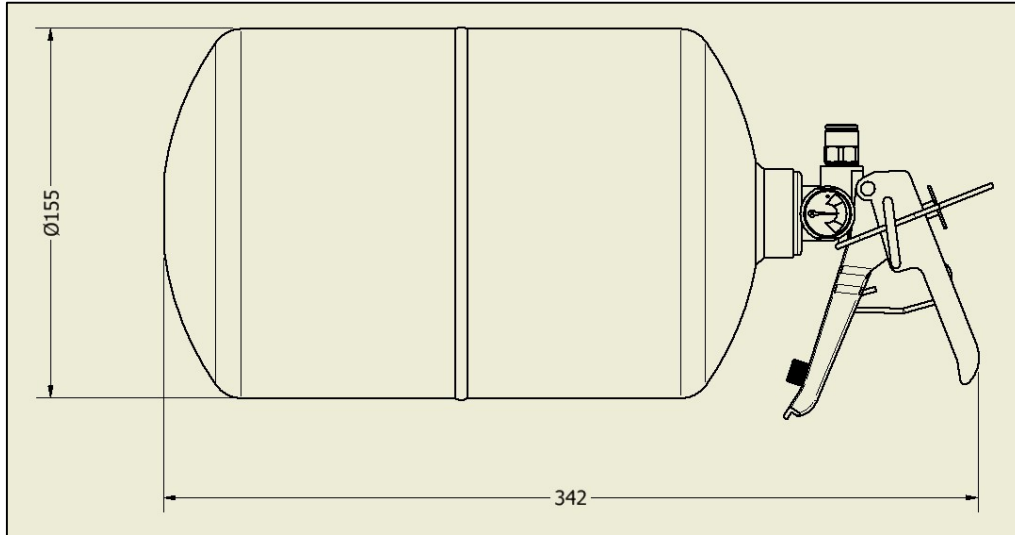
Description	Zero 2020, Zero 360
FIA Homologation	Zero 360: EX.042.17, EX.043.17, EX.044.17 Zero 2020: EX.064.21, EX.065.21
Contents	ABF Foam, Novec 1230™
Discharge System	Mechanical, Electrical, Remote
Cylinder Material	Steel or Aluminium Alloy
Temperatures	-10 to +60°C

Weights and Dimensions

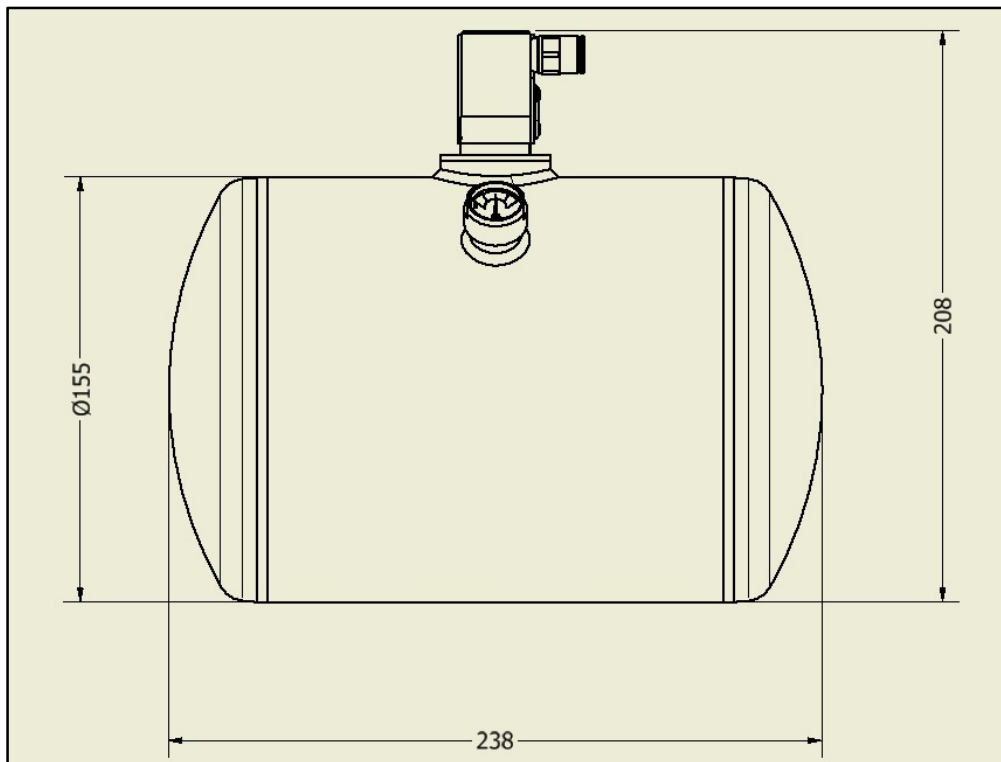
System Number	Type	Capacity	Cylinder Weight	Cylinder Dimensions (Length x Diameter)
106-001-011	Zero 2020 Mechanical	3ltr ABF Foam	5.2kg	252 x Ø155
106-001-012	Zero 2020 Electric	3ltr ABF Foam	4.1kg	238 x Ø155
106-001-003	Zero 360 CD Remote	1.5kg Novec 1230	2.2kg	230 x Ø90
106-001-004	Zero 360 Mechanical	2.25kg Novec 1230	3.6kg	268 x Ø125
106-001-005	Zero 360 Electric	2.25kg Novec 1230	3.1kg	235 x Ø125
106-001-006	Zero 360 CD Remote	2.0kg Novec 1230	2.7kg	219 x Ø108
106-001-007	Zero 360 Mechanical	3.0kg Novec 1230	4.5kg	324 x Ø125
106-001-008	Zero 360 Electrical	3.0kg Novec 1230	3.9kg	297 x Ø125
106-001-009	Zero 360 CD Remote	3.0kg Novec 1230	3.9kg	274 x Ø108

* PLEASE NOTE: ALL DIMENSIONS AND MASSES ARE BASED ON THE CYLINDER ONLY, THEY DO NOT INCLUDE NOZZLES, TUBING, AND HOSES ETC.

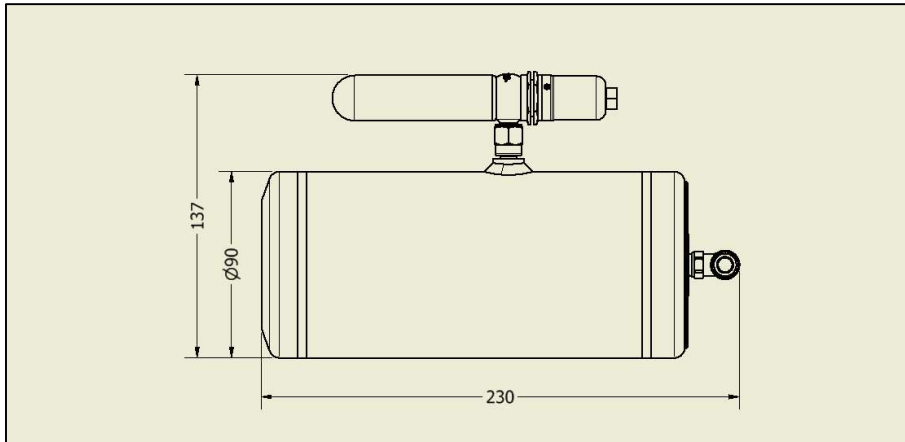
Cylinder Drawings



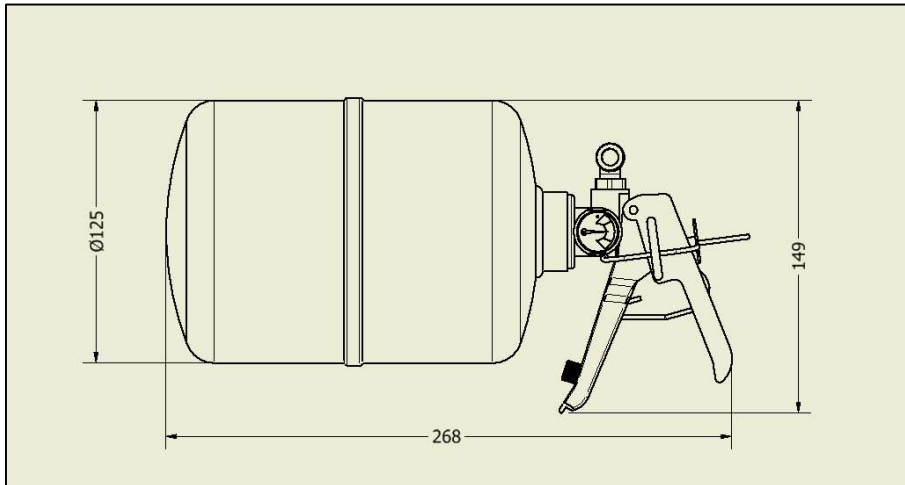
106-001-011-B Zero 2020 Fire Marshal



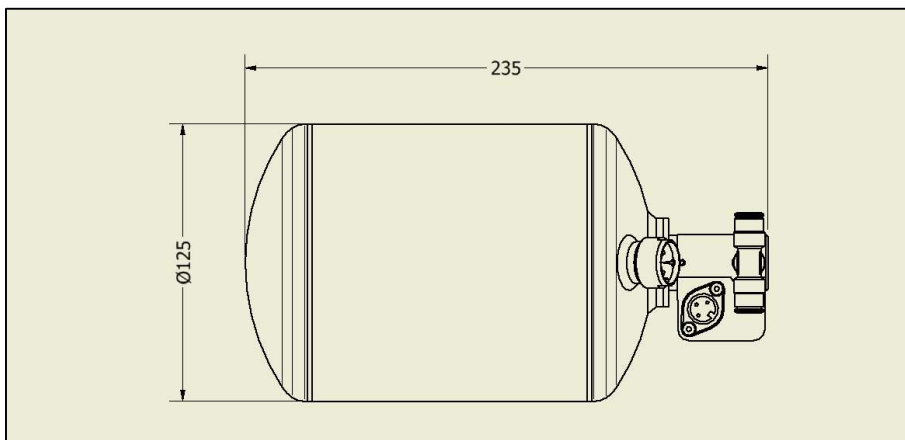
106-001-012-B Zero 2020 Electric



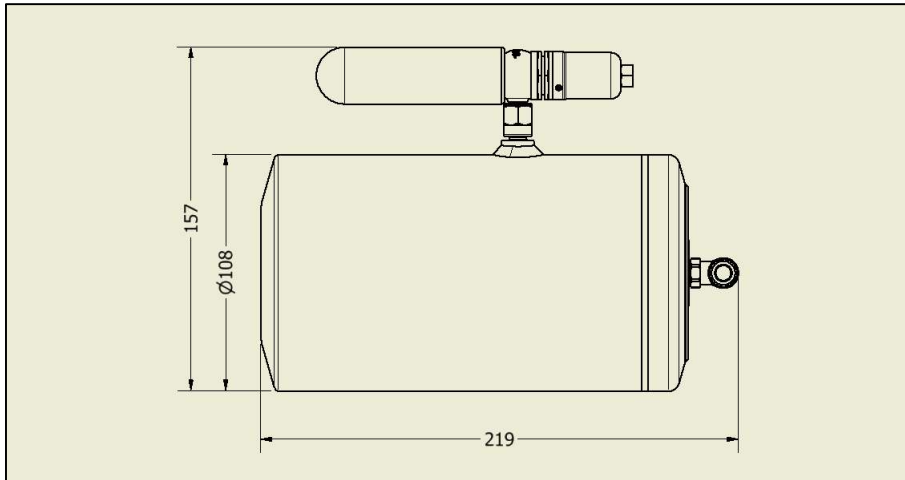
106-001-003-B Zero 360 1.5kg Remote Charge – CD
(Homologated for single seat race cars and sports prototypes only)



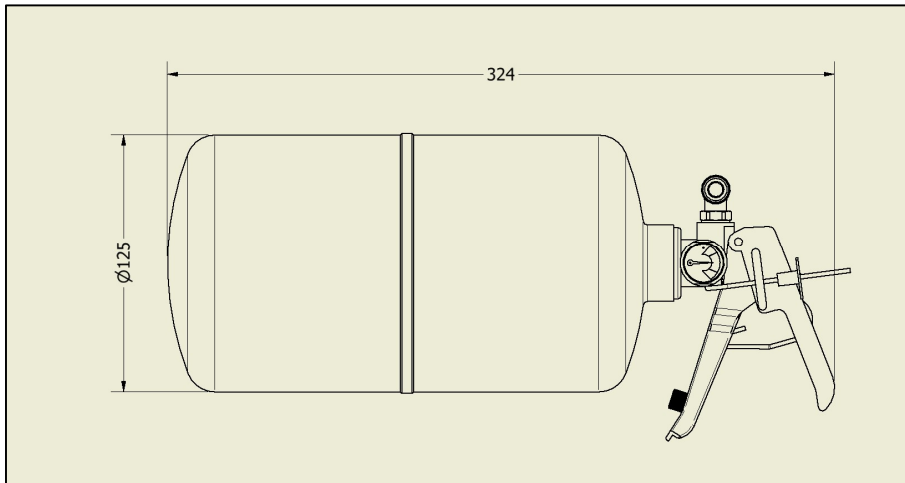
106-001-004-B Zero 360 2.25kg Fire Marshal



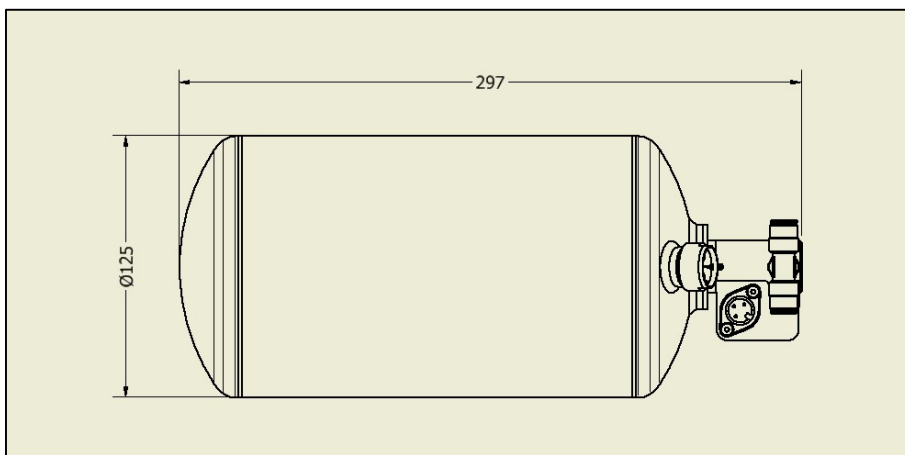
106-001-005-B Zero 360 2.25kg Electric



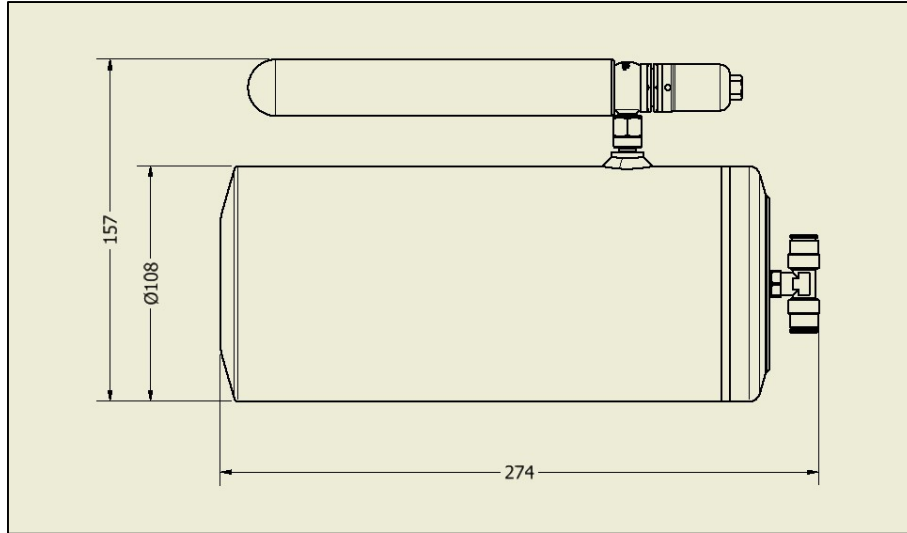
106-001-006-B Zero 360 2.0kg Remote Charge - CD



106-001-007-B Zero 360 3.0kg Fire Marshal

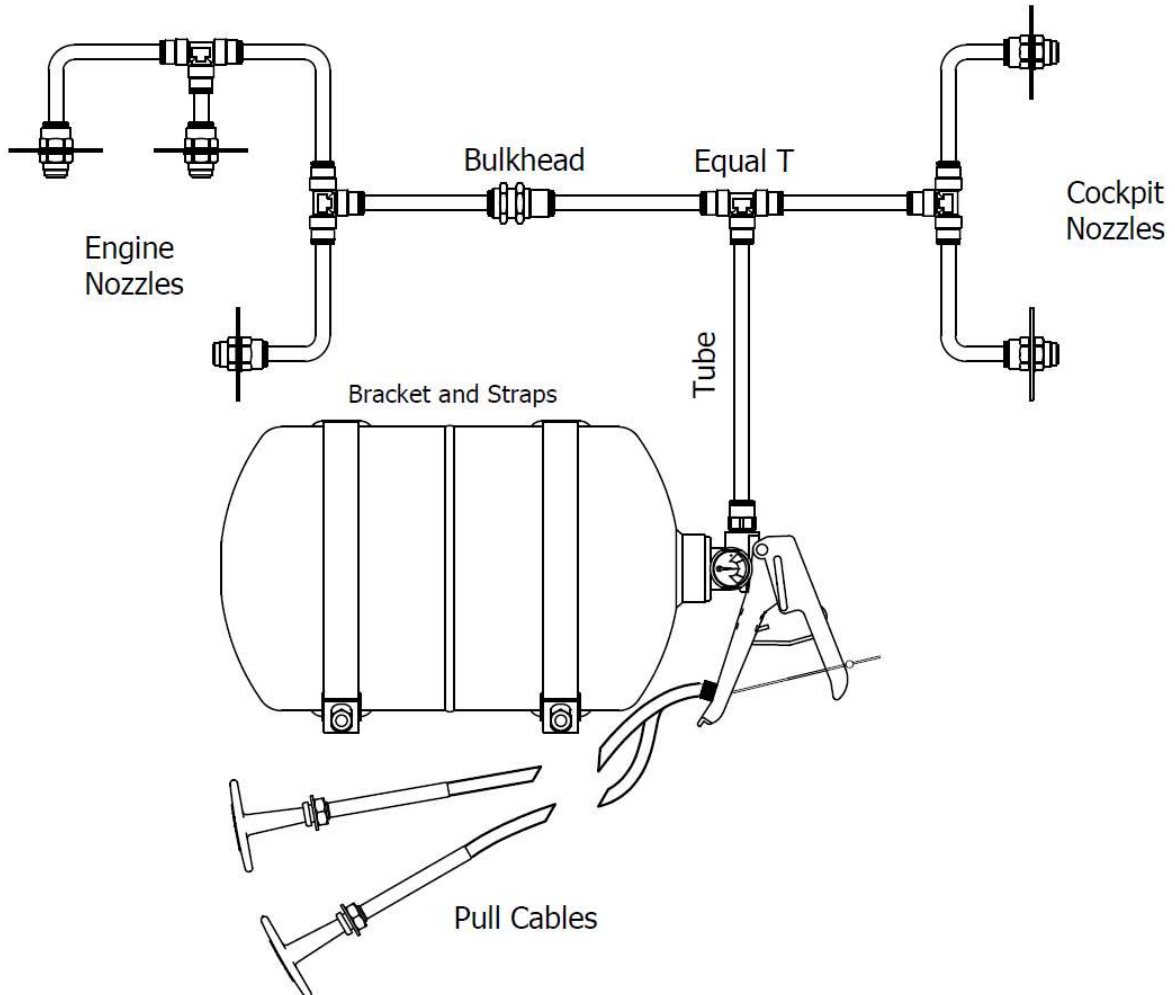


106-001-008-B Zero 360 3.0kg Electric

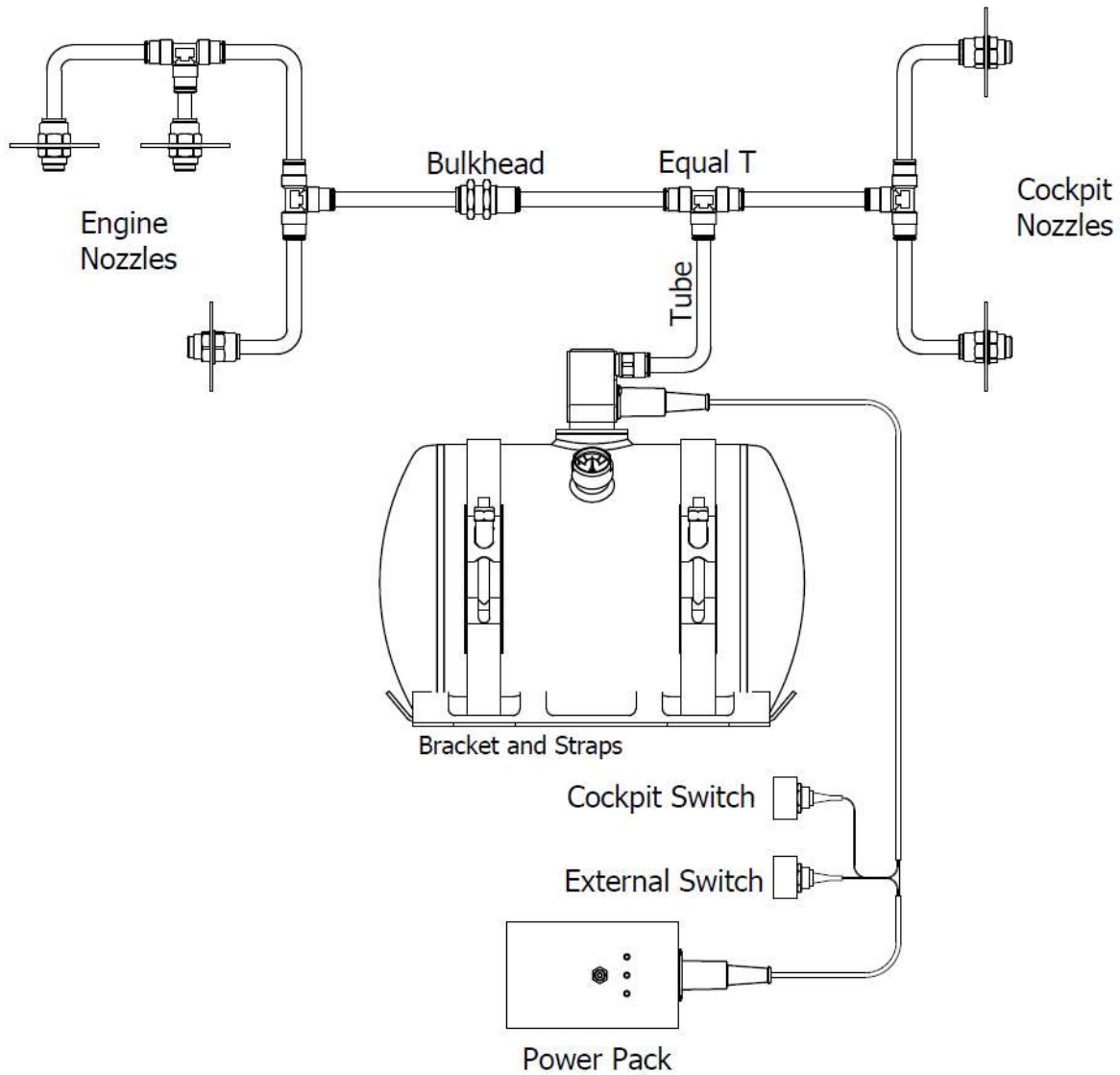


106-001-009-B Zero 360 3.0kg Remote Charge - CD

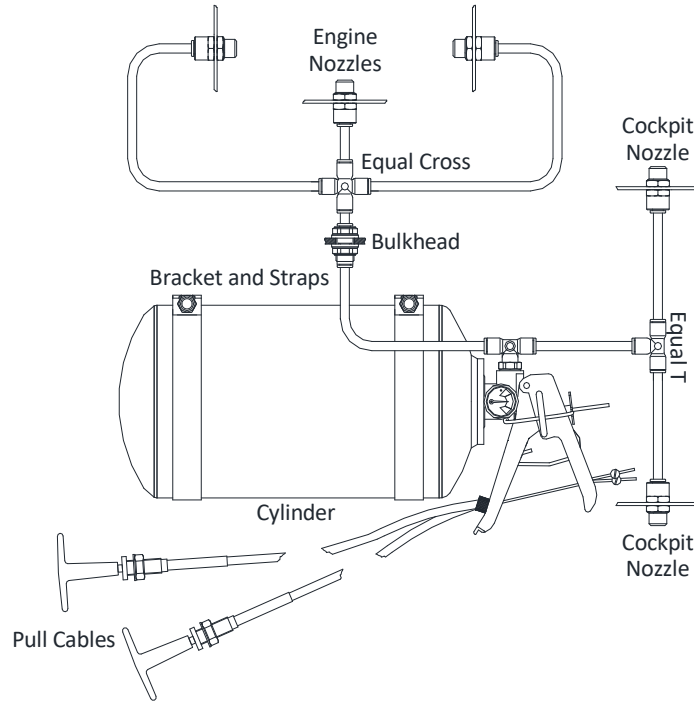
System Schematics



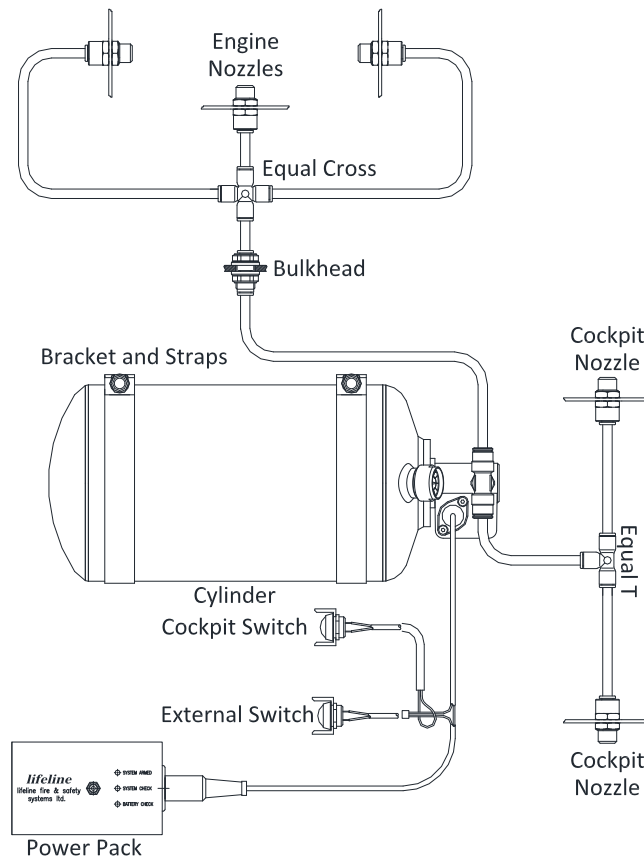
Zero 2020 Fire Marshal 106-001-011



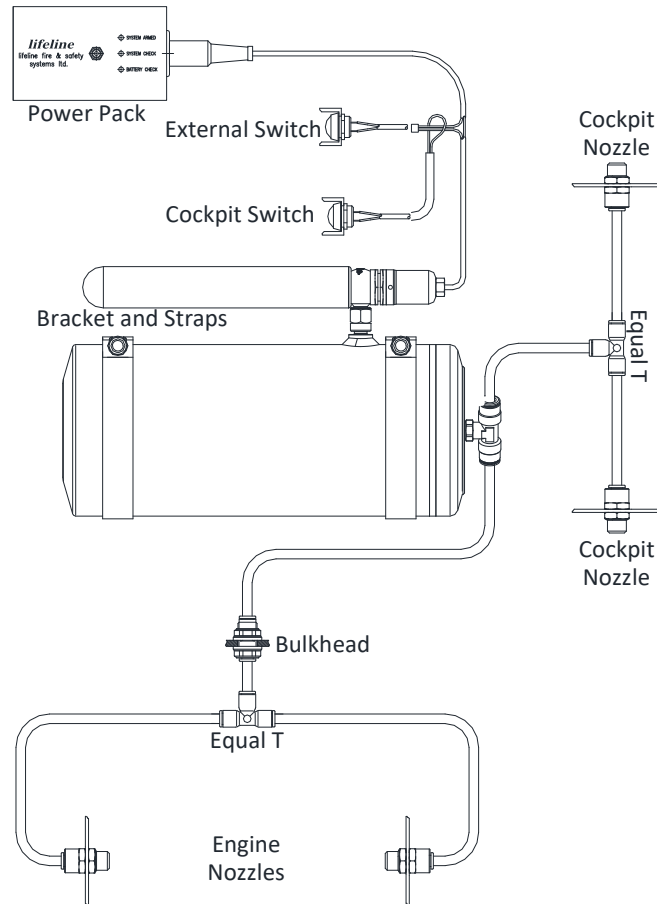
Zero 2020 Electric 106-001-012



Zero 360 Fire Marshal 106-001-004, 106-001-007



Zero 360 Electrical 106-001-005, 106-001-008



Zero 360 CD Remote Charge CD 106-001-003, 106-001-006, 106-001-009

Notes

Notes